

Electrical Characteristics

Model B-705, 115V AC, 9 Amp, 1035 Watts, 60 HZ, Single Phase, UL/c-UL listed. Model B-705, 208-230V AC, 6 Amp, 1300-1500 Watts, 60 HZ, Single Phase, UL/c-UL listed.

Model B-705E, 220-240V, 6 A, AC 1300-1500 Watts, 50/60 Hz, Single Phase; VDE approved with CE marking. B-705E is not available in the United States and Canada.

Installation instructions and template provide information that will assist in the installation of the Bobrick B-705 115V, B-705 208-230V and B-705E 220-240V Cub™ Dryers. Retain Installation Instruction Sheet for important maintenance instruction and warranty information.

Recommended Mounting Heights

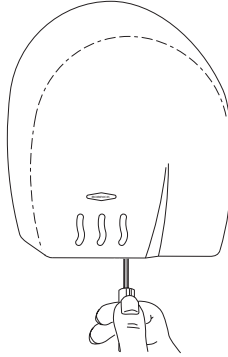
Distance from floor to bottom mounting screw holes of mounting base.

Men's Washrooms	46-1/2"	(1185mm)
Women's Washrooms	44-1/2"	(1135mm)
Children's Washrooms, ages 3-9	32-1/2"	(830mm)
Children's Washrooms, ages 9-12	36-1/2"	(930mm)
Children's Washrooms, ages 12-15	40-1/2"	(1030mm)
Children's Washrooms, ages 15-18	44-1/2"	(1135mm)
Barrier-Free Design	38-1/2"	(980mm)

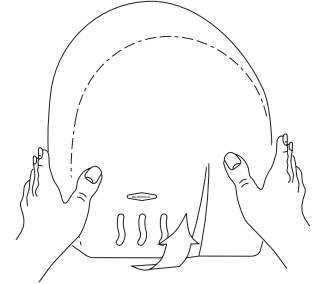
* Bobrick automatic hand dryers should be installed 15" (380mm) above any projection or horizontal surface which may interfere with the operation of the automatic sensor.

Removal of Cover

1. Start installation of dryer by removing cover. Remove two screws, from the bottom of the dryer. Pull bottom of the cover away from the mounting base. Rotate cover up until tabs on top of the cover release from the top of the mounting base.



2. When the tabs on top of the cover are separated from the top of the mounting base, the cover can be removed.



Installation of Mounting Base

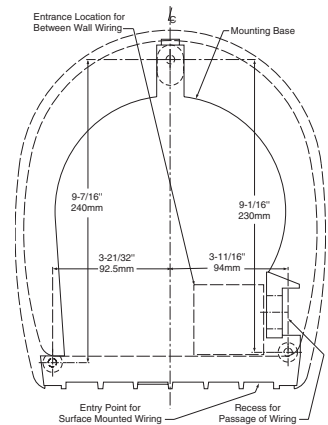
1. Hold the Installation Template against the wall in the desired location of the installed dryer, see following recommended mounting heights.
2. Make sure line on template representing bottom of dryer mounting base is horizontal and located at the desired height above floor.
3. Mark center of three mounting screw holes and hole for entry of electrical wiring if electrical supply is concealed in wall and will enter dryer from back through mounting base.

NOTE: Surface-mounted electrical supply entry is located in the lower right corner of the mounting base. Bottom of mounting base has an opening in lower right corner to accommodate connection of electrical conduit.

4. Drill three holes for #10 (M4.8) mounting bolts or screws (not furnished).
5. For masonry walls provide three #10 expansion shields or anchors and secure with three #10 (M4.8) sheet-metal screws (not furnished). For plaster or dry wall construction, provide concealed backing to comply with local building codes and secure with three #10 (M4.8) round-head sheet-metal screws, or 3/16" (5mm) toggle bolts (not furnished).

NOTE: Use 1-1/4" (35mm) long screws.

6. Fasten mounting base securely to wall.



WARNING: TURN ELECTRICAL POWER SUPPLY OFF BEFORE MAKING ELECTRICAL CONNECTIONS. DRYER MUST BE GROUNDED (EARTHED).

Electrical Connection

FOR PROPER ELECTRICAL CONNECTIONS, CHECK LOCAL BUILDING CODE. UNIT MUST BE INSTALLED BY A QUALIFIED LICENSED ELECTRICIAN.

1. Connect dryer to nearest distribution panel. Use wire as required by local electrical code. In the United States and Canada use #14 wire.
2. Wiring Instructions:
 - a) Trim insulation from end of electrical wire.
 - b) Remove screws in strain relief clamp. Remove clamping crossbar. Feed electrical wire through clamp.
 - c) Make connection to terminal block as follows:
 - 1) 115V and 208-230V Connect ground (earthed) wire to ground (earthed) terminal marked \perp . 220-240V Dryers are doubled insulated and should not be fitted with an earth (ground) wire.
 - 2) Connect the black or Hot wire to terminal marked L.
 - 3) Connect the white or neutral wire to terminal marked N.
 - d) Replace crossbar on strain relief clamp. Tighten screws securing electrical wire.

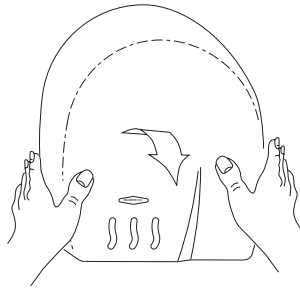
NOTE: DEDICATED LINE IS REQUIRED FOR EACH 115 VOLT DRYER.

Replace Cover

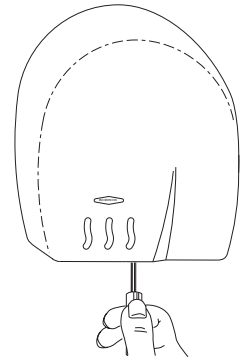
1. Align and engage tabs on underside of the top of the cover and top of mounting base.

NOTE: Four sides of cover overlap the mounting base and should be flush with the sides, top and bottom of the mounting base.

2. Rotate cover over front of mounting base.

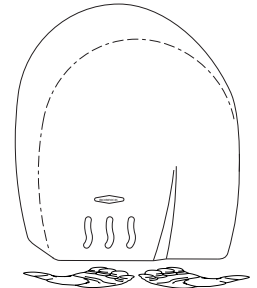


3. Replace and tighten two screws on the bottom to secure cover to mounting base.



Check Dryer Operation

1. Turn electrical power supply on.
2. Position hands under air-outlet, within 4" (100mm) of the bottom of the dryer.
3. Dryer should turn on. Warm air should blow from air-outlet.
4. Remove hands from under air-outlet and dryer should stop (within 2 seconds).



Maintenance

WARNING: TURN ELECTRICAL POWER SUPPLY OFF BEFORE DOING ANY MAINTENANCE OR SERVICE TO DRYER. DRYER MUST NOT BE OPERATED UNLESS COVER IS IN PLACE.

1. Exterior of cover should be cleaned with a damp cloth to remove dust and surface dirt. Do not use abrasive agents or solvents as they may permanently damage surface of cover.
2. At least once every 12 months remove cover. Using a small brush or vacuum, clean out build up of dust and lint from air-inlet, air-outlet grilles, interior of cover, around motor/fan housing.

NOTE: If dryer is installed where there is a lot of dust and dirt in the air, the interior of the dryer should be cleaned out more frequently.

Warranty

IMPORTANT	LIMITED WARRANTY	SAVE
Installation Date: _____		
Serial No(s): _____		
Installation Address: _____		
Telephone No.: _____		
<p>The Bobrick B-705 Cub™ Dryer of the serial number(s) indicated herein, and all parts are warranted to the original owner of the installed unit for one year from date of original purchase against defects in factory workmanship or material under normal use and service*.</p> <p>This warranty is limited to repair or exchange of defective parts at the option of Bobrick.</p> <p>THIS WARRANTY DOES NOT COVER ACCIDENTAL DAMAGE, IMPROPER HANDLING OR INSTALLATION, OR REPAIRS MADE BY UNAUTHORIZED PERSONS, AND SPECIFICALLY EXCLUDES CLAIMS FOR INDIRECT, ACCIDENTAL OR CONSEQUENTIAL DAMAGES TO PROPERTY. THE IMPLIED WARRANTIES OF MERCHANTABILITY AND FITNESS FOR A PARTICULAR PURPOSE ARE LIMITED TO THE SAME DURATION OF THE ABOVE WARRANTY.</p> <p>Some states do not allow the exclusion of incidental or consequential damages, so the above limitation or exclusion may not apply to you. Some states do not allow limitations on how long an implied warranty lasts, so the above limitation may not apply to you. This warranty gives you specific legal rights, and you may also have other rights which vary from state to state.</p> <p>* Normal service constitutes performing the following preventive maintenance procedure: Remove cover and clean any lint, dust or grease from air-inlet and air-outlet grilles.</p> <p>Labor costs for preventive maintenance shall be at owner's expense.</p> <p>For repair or exchange of defective part, send the part together with installation date and serial number to BOBRICK.</p>		