



Installation Instructions

For Models:

Model Number / Description

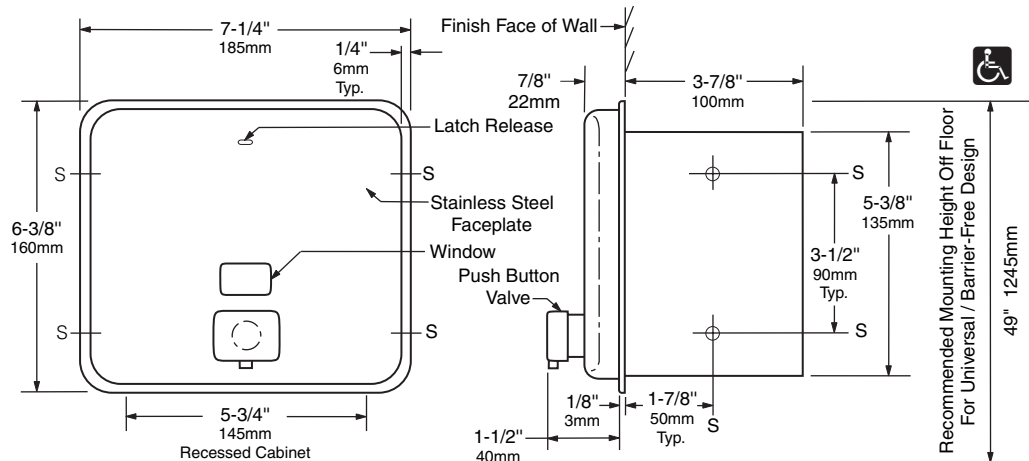
B-4063 Contura™ Series Recessed Soap Dispenser

File Name

B-4063.pdf

INSTRUCTIONS FOR INSTALLATION AND MAINTENANCE

Bobrick Contura™ Series Model B-4063 Recessed Soap Dispenser



Rough Wall Opening
 5-7/8" (150mm) wide
 5-1/2" (140mm) high
 4" (102mm) minimum
 recessed depth

INSTALLATION:

Unit is to be mounted in rough wall opening 5-7/8" wide x 5-1/2" high (150 x 140mm). Minimum recessed depth to finish face of wall is 4" (102mm). Recessed mounting box is secured with four #8 x 1-1/4" (M4.2 x 32mm) sheet-metal screws (not furnished) and BobKey.

1. Unlatch unit with BobKey provided by inserting end of key into slot in door face. Tilt BobKey up so that latching mechanism disengages soap drawer and tilt top of drawer forward. Lift drawer slightly and pull drawer while BobKey is tilted up. Slide drawer out until angle brackets at rear of soap vessel stop against drawer stops.
2. Tilt drawer up to remove from mounting box.
3. Place mounting box in wall opening and secure to framing with mounting screws.

NOTE: Unit is to be mounted with the soap valve over a sink or lavatory. Spacer shims should be used between mounting box and framed wall opening to prevent distortion or damage to cabinet when mounting screws are tightened.

4. Replace soap drawer in mounting box and push bottom of drawer closed first then push top of drawer fully closed to latch. You may need to move drawer side to side slightly as you are closing the top of the drawer to enable it to engage properly.

MAINTENANCE:

1. Unlatch unit and open drawer until it is stopped against drawer stops as described above.

NOTE: It is not necessary to remove drawer from mounting box for refilling. For maintenance and cleaning purposes, tilt drawer upward to remove it from mounting box.

2. Remove red plastic lid from soap vessel and fill with soap. **Corrosion-resistant valve dispenses commercially marketed all-purpose hand soaps.** Replace plastic lid on soap vessel. Close door fully to latch.
3. Clean equipment operates better, lasts longer, and requires less maintenance. Wipe the unit daily, including the spout, using a damp cloth. *Never use abrasive cleaners.*
4. Periodically clean the dispenser by pumping warm water mixed with soap from the dispenser through the vessel and valve to flush out contaminants or dried soap residue. *Never use abrasive cleaners.*
5. If the soap valve fails to operate satisfactorily, the problem may be caused by dried soap or dirt clogging the spout or the soap valve. **TO REMEDY:** Clean spout with end of BobKey and/or flush the dispenser as described above.
6. Do not disassemble the soap valve. NOTE: If for any reason the valve becomes nonfunctional, a new soap valve replacement kit (Part No. 4112-79) must be ordered.



In the U.S.A.: **BOBRICK WASHROOM EQUIPMENT, INC.**

200 Commerce Drive, Clifton Park, New York 12065-1350 • Tel: (518) 877-7444 • FAX: 518-877-5029
 11611 Hart Street, North Hollywood, California 91605-5882 • Tel: (818) 982-9600 • FAX: 818-503-1102
 100 Bobrick Drive, Jackson, Tennessee 38301-5625 • Tel: (731) 424-7000 • FAX: 731-424-7800

In Canada: **BOBRICK WASHROOM EQUIPMENT COMPANY**

45 Rolark Drive, Scarborough, Ontario M1R 3B1 • Tel: (416) 298-1611 • FAX: 416-298-6351

INSTRUCTIONS FOR INSTALLATION AND MAINTENANCE

Bobrick Contura™ Series Model B-4063 Recessed Soap Dispenser

VALVE REPLACEMENT INSTRUCTIONS

TO REMOVE VALVE:

1. Unlatch unit and open drawer from mounting bracket as described in installation instructions.
2. Remove red plastic lid and empty soap vessel.
3. Place 1" (25mm) closed-end wrench (provided) inside soap container and over the large collar nut at rear of soap valve and loosen until face of valve can rotate.
4. While holding the collar nut in place with the wrench, unscrew soap valve from the front of the unit by rotating counterclockwise.

TO INSTALL VALVE:

A. ON UNITS WITH ROUND HOLE IN SOAP CONTAINER

1. Pull back flat rubber washer at rear of soap valve face to expose the two plastic tabs.
2. Cut plastic tabs off rear of soap valve face flush with indicated surface (see Figure 1).
3. Move flat rubber washer back to its initial position. Make sure flat edge of washer is even with top of valve face.
4. Hold the collar nut with the 1" (25mm) closed-end wrench. Make sure the notch in the collar nut is facing toward the front of the dispenser and position nut behind soap valve hole inside dispenser.
5. Screw new soap valve into collar nut, clockwise, until rear of valve face hits the front of the soap container.
6. Push the soap valve into the rectangular recess in the face of the soap container with spout facing downward.
7. Tighten collar nut with wrench until tight enough so that valve will not leak around seal at front of unit.

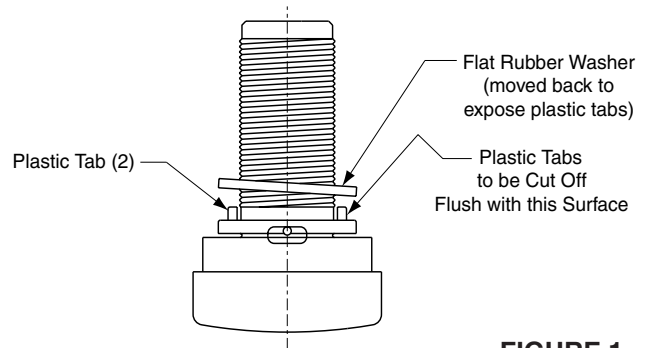


FIGURE 1

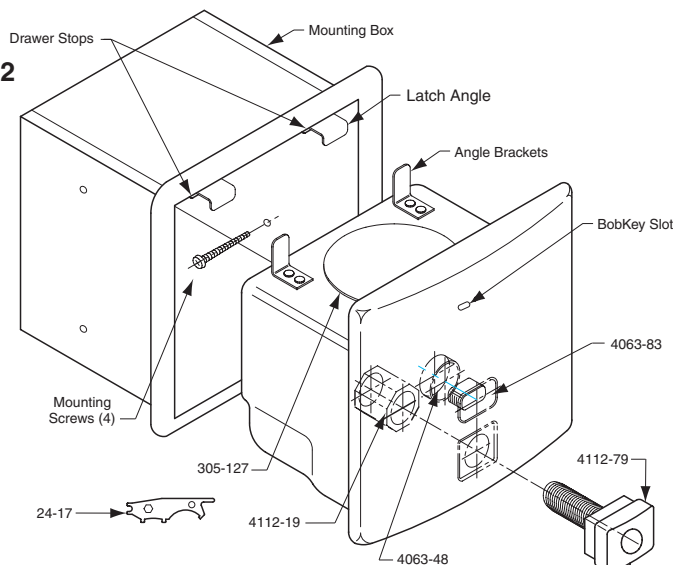
B. ON UNITS WITH SQUARE-TOP VALVE HOLE IN SOAP CONTAINER

1. Hold the collar nut with the 1" (25mm) closed-end wrench. Make sure the notch in the collar nut is facing toward the front of the dispenser and position nut behind soap valve hole inside dispenser.
2. Screw new soap valve into collar nut, clockwise, until rear of valve face hits the front of the soap container.
3. Push the soap valve into the rectangular recess in the face of the soap container with spout facing downward.
4. Tighten collar nut with wrench until tight enough so that valve will not leak around seal at front of unit.

REFILL-INDICATOR WINDOW REPLACEMENT INSTRUCTIONS (see Figure 2):

1. Unlatch unit and remove drawer from mounting box as described in installation instructions.
2. Remove red plastic lid and empty soap vessel.
3. Remove collar nut from back of refill-indicator window inside of vessel using a pair of pliers or 1" (25mm) closed-end wrench.
4. Remove refill-indicator window and seal from face of drawer.
5. Assemble new refill-indicator window and seal to face of drawer by reversing above procedure. Collar nut is to be tightened so that window will not leak around seal at front of unit.

FIGURE 2



REPLACEMENT PARTS LIST

PART NAME	PART NO.
Valve Replacement Kit	4112-79
Collar Nut for Valve	4112-19
Refill-Indicator Window with Nut	4063-83
Collar Nut for Window	4063-48
Red Plastic Lid	305-127
BobKey	24-17